

## Single Wall Oven

- 4.7 cu. ft. Capacity
- EasyClean® + Self Clean
- True Convection Technology
- 2 Heavy Duty Racks
- SmoothTouch™ Glass Controls
- SmartDiagnosis™ (Tag On Technology)



### COLOR AVAILABILITY

- LWS3063ST – Stainless Steel
- LWS3063BD – PrintProof™ Black Stainless Steel

### CAPACITY

Oven Capacity	4.7 cu. ft.
---------------	-------------

### CONTROLS

Oven Control Type	SmoothTouch™ Glass
Language	English - Spanish - French
Clock	12 Hr or 24 Hr (Option)
Kitchen Timer	Yes
Temperature Unit of Measure	°F or °C
Cooking Complete Reminder Volume	High, Low, Off

### OVEN FEATURES

EasyClean®	Yes
Self Clean	Yes
Variable Cleaning Time	Yes (3, 4, 5 Hrs.)
Oven Racks	2 Heavy Duty
Number of Rack Positions	5
Temperature Probe	No
True Convection	Yes
Convection Conversion	Yes
Convection Element	Yes (2,000 W)
Variable Broil	Yes (Full, Center / High, Med, Low)
Broil Element	Inner: 2,500 W Outer: 1,500 W
Broil Element Type	8-Pass
Bake Element	2,500 W
Bake Element Type	Hidden (8-Pass)
Automatic Safety Shut-Off	After 12 Hours
Oven Lights	3 Halogen
Proof	Yes
Variable Warm	Yes (High, Med, Low)

### CONVENIENCE

ADA Compliant	Yes
Sabbath Mode	No

### SMART FEATURES

Wi-Fi Enabled	No
ThinQ®	No
SmartDiagnosis™	Yes
NFC Tag On	Yes

### FINISHES AND APPEARANCE

Fingerprint & Smudge Resistant Exterior	Yes (Black Stainless Only)
Handle / Knobs	ST - Stainless Steel Appearance BD - Black Stainless Steel Appearance
Oven Door Feature	WideView™ Window

### TECHNICAL SPECS

Required Power Supply	240 / 208V, 60Hz, 4-Wire
Minimum Circuit Rating	20 Amp
kW Rating at 240V	4.1 kW
Power Outlet Location	See Installation Diagram

### INCLUDED ACCESSORIES

Broiler Pan & Grid, 2 Heavy Duty Racks, EasyClean® Kit (Spray Bottle & Scouring Pad)

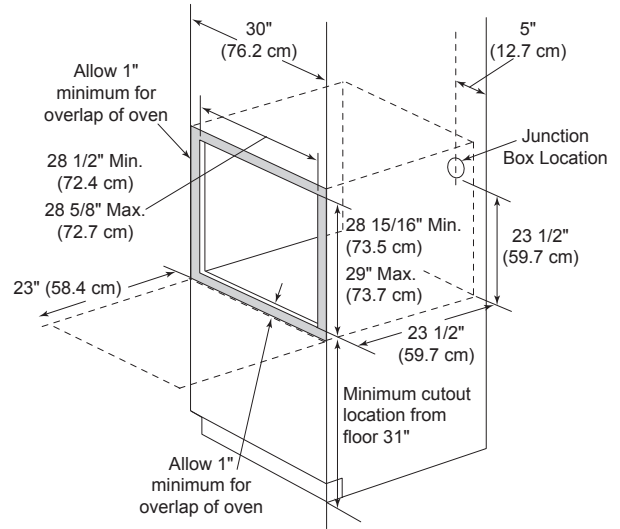
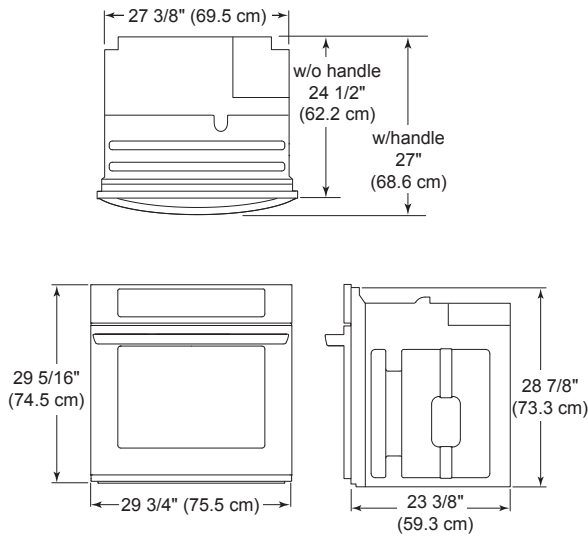
### DIMENSIONS

Product Dimensions (W x H x D)	29 3/4" x 29 5/16" x 24 3/8"
Minimum Cutout Dimensions (W x H x D)	28 1/2" x 28 15/16" x 23 1/2"
Carton Dimensions (W x H x D)	33" x 34" x 30"
Approx. Weight (Product / Carton)	130 lbs. / 179 lbs.

### LIMITED WARRANTY

Parts and Labor	1 Year
-----------------	--------

**DIMENSIONS / CLEARANCES**



**INSTALLATION NOTES**

- The cabinet base platform must be able to support 325 lbs (147 kg). If the cabinet does not have a solid bottom, two braces or runners must be installed level with the bottom of the cutout to support the weight of the oven. Make sure the base is level and the front of the cabinet is square. If the cabinet base is not level, the oven glides will tend to slide out when opening the door.
- If the cabinet does not have a front frame and the sides are less than 3/4" (1.9 cm) thick, shim both sides equally to establish the cutout width.
- The junction box must be flush with the rear wall of the cabinet as shown above.
- Allow at least a 23" clearance for the door depth when it is open.
- Kitchen cabinets in contact with the oven must be heat resistant up to 194°F (90°C), and fronts of nearby units up to at least 158°F (70°C).

**DIMENSIONS / CLEARANCES**

Cabinet Width	30"
Recommended Minimum Cutout Location from Floor	31"
Cutout Depth	23 1/2" Min.
Cutout Width	28 1/2" Min. - 28 5/8" Max.
Cutout Height	28 15/16" Min. - 29" Max.